

komfovent

COOKER HOOD 251-12



INSTALLATION

TECHNICAL DATA

Width: 60 cm.
 Other dimensions: See **fig. 1**.
 Electrical connection: 230V ~ earthed
 Light: Fluorescent tube G23 base, 11 W

ACCESSORIES

Duct for connecting to kitchen flue.
 Fitting brackets

INSTALLATION

Exhaust air from the hood must not be discharged into a flue used for exhausting fumes from appliances powered by sources other than electricity.

If the hood is being used in conjunction with ventilators of appliances powered by sources other than electricity, the room must be adequately ventilated.

Requirements stipulated by a relevant authority concerning the discharge of exhaust air must be observed.

Installing the damper, see **fig. 2**

A duct connector is provided. Install damper axle "A" in the opening under the damper lid. Ensure that the clips "B" engage under the top plate. Snap the connector into position.

Installing the cooker hood

The distance between the hood and an electrical hob must be minimum 40 cm and from gas hob minimum 65 cm. If the instructions from the manufacturer, for installation of the gas hob specify a greater distance, this has to be taken in account.

The hood can be installed under or between standard kitchen cupboards, see **fig. 3**. Alternatively, special brackets can be used to fit the hood (additional equipment), see **fig. 4**.

Fitting instructions are supplied with any additional equipment.

N.B. When connecting with a flexible hose, make sure there is no slack between the cooker hood and the duct system, see **fig 5**.

Electrical installation

NOTE! Electrical installation must be made by authorised installer and in accordance with regulations in force.

The supply cable must be attached and the cooker hood must be connected to the electricity supply via an all-pole cut-off switch.

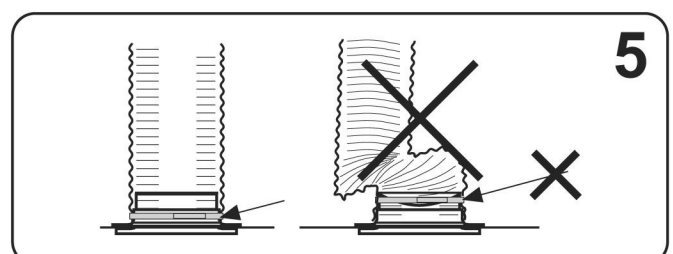
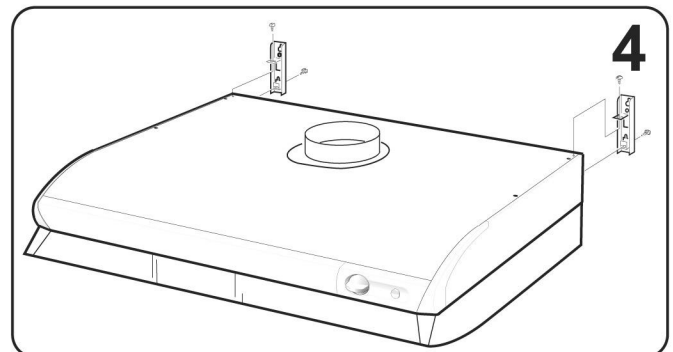
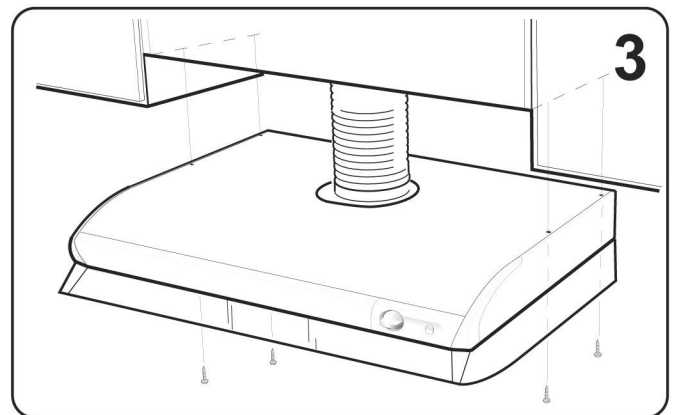
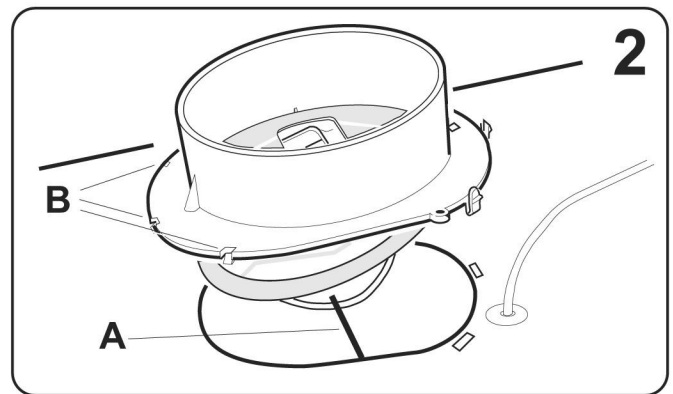
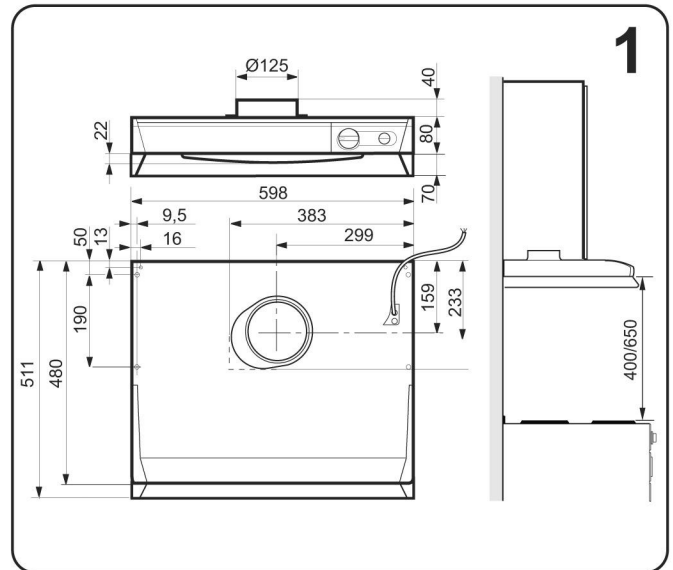
Setting the airflow

See separate instructions.

Recycling and disposal



All packing material, old hoods/hood parts must be disposed of (for recycling or landfill) in accordance with local regulations.



GB DIRECTIONS FOR USE

OPERATION

Do not flambé food under the cooker hood.
When using the hood at the same time as equipment that uses energy other than electricity (-e.g. gas cookers, gas ovens, stoves, etc.) make sure that the air supply to the room is sufficient.

This appliance is not intended for use by persons (including children) with reduced physical, sensory or mental capabilities, unless they have been given instructions concerning use of the appliance.

Functions, Fig. 6

- A - Damper switch
- B - Light switch

Open the damper when cooking.

MAINTENANCE

Cleaning

N.B. Neglecting these cleaning instructions can cause a fire hazard.

- With normal use, the filter must be cleaned at least every other week.
- The inside of the hood must be cleaned at least twice a year.

Wash the filter in a dish-washer.

Alternatively, the filter and its components can be soaked in a solution of hot water and detergent.

Other parts should be wiped down using a damp cloth and detergent.

To release the filter cassette, press the buttons on the front edge, see **fig 7a**. If soaking, release the filter holder to remove the grease filter, see **fig 7b**. Replace the filter cassette. Push it up until it clicks into place.

Changing the fluorescent tube

The glass protecting the light can be removed by pressing the snap clips in the direction shown by the arrow, **fig 8**. The fluorescent tube can now be accessed for replacement.

(Fluorescent tube G23 base)

TROUBLESHOOTING

Check that all electrical connection are correct. Check the fuse. Test the lighting. Contact your local dealer for further assistance.

